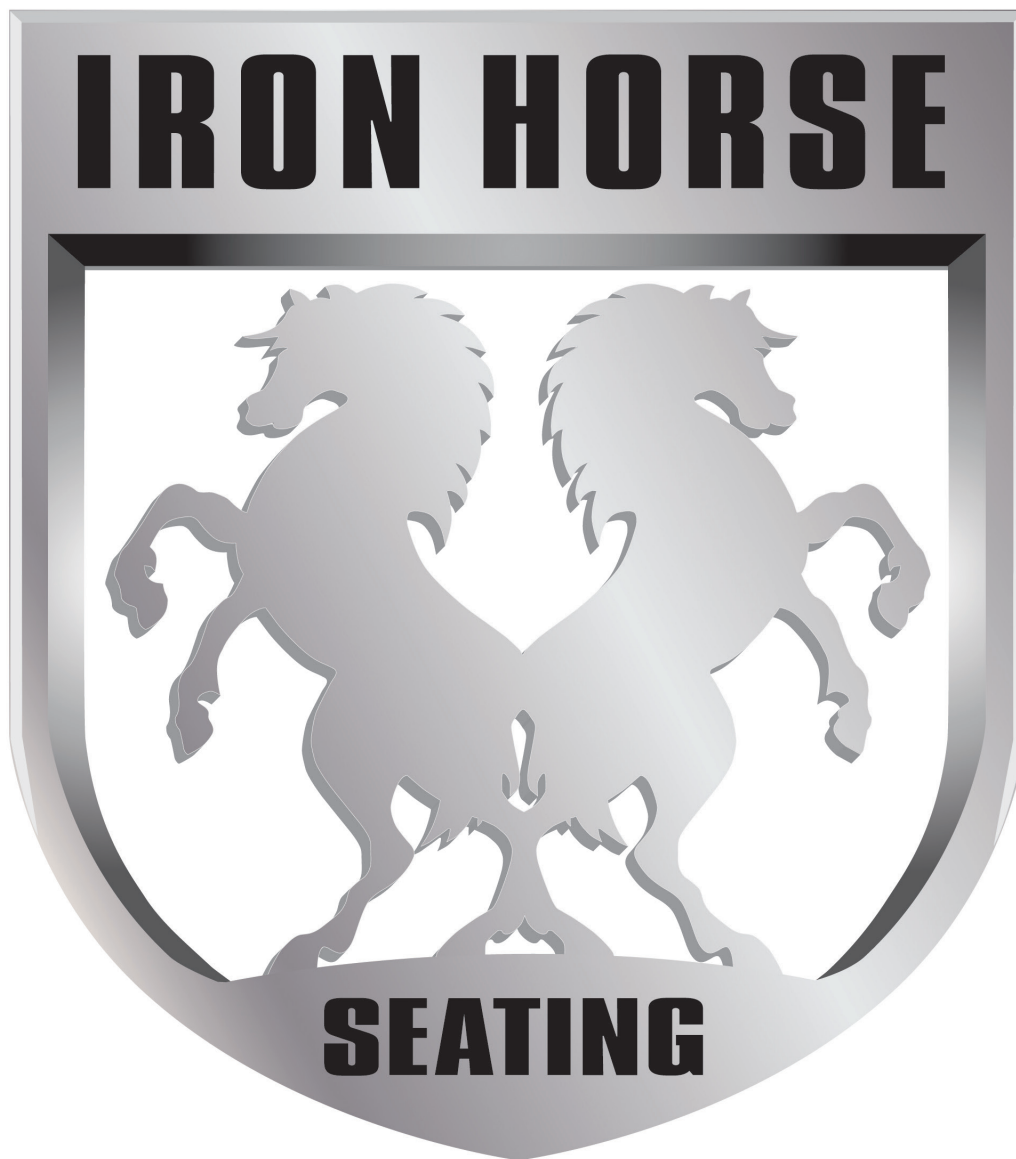


2019 COMMERCIAL PRODUCT BROCHURE



13700 W. Polo Trail Drive, Lake Forest, IL 60045

IRONHORSESEATING.COM 800.223.7003

Rev. 01/16/2019



IRON HORSE SEATING COMPARISON CHART



2000 SERIES

3000 SERIES

4000 SERIES

5000 SERIES

BIG & TALL

Weight Rating	Up to 250 lbs.	Up to 300 lbs.	Up to 400 lbs.	Up to 500 lbs.	Up to 400 lbs.
Height Rating	5'0" - 5'9"	5'6" - 6'3"	5'9" - 6'5"	5'7" - 6'5"	5'10" - 6'8"
Cushion Width	Seat: 19.5" Back: 19.25"	Seat: 22.5" Back: 20"	Seat: 22.5" Back: 21"	Seat: 25" Back: 21"	Seat: 22" Back: 22"
Cushion Depth	Seat: 18"	Seat: 19" Seat Slider: 17"-19.5"	Seat: 20" Seat Slider: 19.5"-22"	22"-24.5"	Std.: 19.5"-22" Extended: 22"-24.5"
Cushion Height	Std Shock: 22" Tall Shock: 22" Short Shock: 22" Back: 20"	Std Shock: 22" Tall Shock: 22" Short Shock: 22" Back: 23"	Std Shock: 19"-22" Tall Shock: 19.5"-24.5" Short Shock: 18.5"-21.5" Back: 24"	Std Shock: 19.5"-22.5" Tall Shock: 20"-25" Short Shock: 18"-20.5" Back: 24"	Std Shock: 18"-21" Tall Shock: 19"-23" Short Shock: 17"-20" Back: 34"
Trim Options	Cloth, Ultraleather, Standard Leather	Cloth, Ultraleather, Standard Leather, Deluxe Leather (Seat Slider only)	Cloth, Ultraleather, Standard Leather	Cloth, Ultraleather, Standard Leather,	Standard Leather
Base Options	29" Black Composite, 29" Polished Aluminum, 29" Black Aluminum	29" Black Composite, 29" Polished Aluminum, 29" Black Aluminum	29" Black Composite, 29" Polished Aluminum, 29" Black Aluminum	29" Black Composite, 29" Polished Aluminum, 29" Black Aluminum	29" Black Composite, 29" Polished Aluminum, 29" Black Aluminum
Headrest Options	Traditional Headrest & Deluxe Comfort Headrest	Traditional Headrest & Deluxe Comfort Headrest	Traditional Headrest & Deluxe Comfort Headrest	Traditional Headrest & Deluxe Comfort Headrest	Adjustable Neckroll
Armrest Options	HD Tilt-Up, 4D	HD Tilt-Up, 4D	HD Tilt-Up, 3D	3D	HD Tilt-Up, 3D
Warranty	10 Year Frame 5 Year Structural 3 Year Cushion, Trim & Armrests*	10 Year Frame 5 Year Structural 3 Year Cushion, Trim & Armrests*	10 Year Frame 5 Year Structural 3 Year Cushion, Trim & Armrests	5 Year Frame 5 Year Structural 3 Year Cushion, Trim & Armrests	10 Year Frame 5 Year Structural 3 Year Cushion, Trim & Armrests

*4D Armrests are NOT covered under Warranty if used in 24/7 environments.



IRON HORSE SEATING

FAB SHEET

Feature	Independent backrest recline adjustment
Advantage	Backrest angle adjusts independently from seat pan angle
Benefit	Minimize neck, back and leg pain for the user, thus maximizing productivity by reducing downtime
Feature	HD Tilt Mechanism
Advantage	Provides exceptional adjustment and support for intensive use environments
Benefit	Adjustable tension, tilt lock, and height allows for an ergonomic seating experience ideal for heavy use applications
Feature	24/7, heavy duty armrests (HD Tilt-Up & 3D Armrests)
Advantage	Adjustable range of motion
Benefit	Superior ergonomic positioning for tasks at hand, designed specifically to meet the demands of 24/7 environments
Feature	Molded, tooled, multi-density foam cushion
Advantage	More durable than laminated cut foam
Benefit	Provide durability and consistent fit assuring user comfort for life of the chair
Feature	Bow-tie air chamber adjustable lumbar
Advantage	Supports the natural S-curve of the spine
Benefit	Provide greater support and less fatigue
Feature	Deluxe Comfort Headrest
Advantage	Adjustable flange and height to offer superior support of the head and neck
Benefit	Minimize neck pain for the user, thus maximizing productivity by reducing downtime
Feature	Machined gear, dual spring recliner mechanism
Advantage	Stronger than stamped, single spring mechanisms
Benefit	Chair will function properly for greater lengths of time
Feature	Built with highest grade hardware and components available
Advantage	Stronger than lower grade hardware and components
Benefit	Chair will function properly and maintain ergonomic support for greater lengths of time
Feature	Robotically welded, 14 gauge tubular steel frame
Advantage	Stronger and more rigid than wood or composite frames
Benefit	Chair will last longer, provide superior ergonomics & support heavier users. Evenly distributes the weight compared to a mesh or "hammock" support system
Feature	16 gauge sheet metal seat pan
Advantage	Stronger than wood or composite frames.
Benefit	Chair will last longer & support heavier users. Minimize neck, back and leg pain for the user, thus maximizing productivity by reducing downtime

ISO CERTIFIED



MANUFACTURER

UNITED GROUP
INCORPORATED

BBB ACCREDITED





IRON HORSE SEATING

OFFICE CHAIR WARRANTY

WARRANTY STATEMENT

United Group, Inc. assumes no warranty obligation for failures due to product abuse, misuses or alteration of the product. United Group, Inc's warranty extends only to the original purchaser acquiring new products directly from United Group, Inc, its authorized dealers and distributors, or others specifically authorized by United Group, Inc. to act as resellers of its products. Proof of purchase is **required**.

This warranty is **void** if the product is modified or attachments are made to the product. Determination to replace product (applies to parts only) shall be made by United Group, Inc.

Warranty applies to IRON HORSE Seating products manufactured after September 1, 2005.

HEAVY DUTY FRAME WARRANTY

10 Years from Date of Sale on 2000 Series, 3000 Series, 4000 Series, and Big & Tall.
5 Years from Date of Sale on 5000 Series.

STRUCTURAL COMPONENTS

5 Years from Date of Sale; excluding product abuse, misuse, and normal wear and tear.

CUSHIONS, TRIM, CASTERS & ARMRESTS

3 Years from Date of Sale; excluding product abuse, misuse, and normal wear and tear.

4D Armrests are NOT covered under Warranty if used in 24/7 environments.

HD Tilt-Up & 3D Armrests ARE covered under Warranty if used in 24/7 environments.

ISO CERTIFIED



MANUFACTURER

UNITED GROUP
INCORPORATED

BBB ACCREDITED



IRONHORSESEATING.COM 800.223.7003

Rev. 01/16/2019

IRON HORSE SEATING



2000 *Series*

PRODUCT FEATURES

The IRON HORSE Seating 2000 Series features a new trim style and frame, the latest ergonomic designs, and commercial grade components.



FEATURES

- Black Standard Leather
- Deluxe Comfort Headrest
- 4D Armrests, Height/Width Adjustable
- Knee Tilt Recliner with 7 Locking Positions & Adjustable Tension
- Independent Backrest Recline
- Adjustable Air Lumbar System
- Heavy Duty Gas Shock, Height Adjustable
- 5-Star Black Composite Base with Double Wheeled Casters

USER RATINGS

- Weight Rating: 250 lbs.
- User Height: 5'0" - 5'9"
- Tested to **ANSI/BIFMA X5.1-2017** Office Chair Standards

WARRANTY

- 10-Year Warranty on Frame
- 5-Year Warranty on Structural Components
- 3-Year Warranty on Covers, Foam & Armrests

OPTIONAL FEATURES

- Black Cloth & Black Ultraleather
- Traditional Headrest
- Heavy Duty Tilt-Up Armrests, Adjustable Angle
- **NEW!** Shock Cover
- Heavy Duty Polished Aluminum or Black Aluminum Base
- Custom Embroidery

ISO CERTIFIED



MANUFACTURER

UNITED GROUP
INCORPORATED

BBB ACCREDITED



IRONHORSESEATING.COM 800.223.7003

Rev. 01/16/2019

IRON HORSE SEATING



2000 Series

PRODUCT FEATURES



- Notes:
- 4.0" headrest height adjustment range
 - 17" to 20" seat cushion height with short shock option*
 - 17.50" seat cushion depth
- Seat Cushion Height:
- Regular Shock Option - Seat Cushion Height 18" to 21"
 - Short Shock Option - Seat Cushion Height 17" to 20"
 - Tall Shock Option - Seat Cushion Height 19" to 23"



IRON HORSE SEATING - BUILT TO LAST

IRON HORSE Seating 24-Hour Chairs are engineered to withstand the demanding environments of control rooms, surveillance rooms, and dispatch centers. The IRON HORSE Seating 2000 Series features the latest ergonomic designs and commercial grade components.

Through extensive market knowledge and known customer requirements, these chairs are engineered to exceed your expectations. The ergonomic excellence of the IRON HORSE Seating intensive use products have been developed to meet the demands of 24-hour, multi-shift environments.

ISO CERTIFIED



MANUFACTURER

UNITED GROUP
INCORPORATED

BBB ACCREDITED



IRONHORSESEATING.COM 800.223.7003

Rev. 01/16/2019

IRON HORSE SEATING



3000

Series

PRODUCT FEATURES

The IRON HORSE Seating 3000 Series features the latest ergonomic designs and commercial grade components.

FEATURES

- Black Standard Leather
- Deluxe Comfort Headrest
- Heavy Duty Tilt-Up Armrests, Adjustable Angle
- Knee Tilt Recliner with 7 Locking Positions & Adjustable Tension
- Independent Backrest Recline
- Adjustable Air Lumbar System
- Heavy Duty Gas Shock, Height Adjustable
- 5-Star Black Composite Base with Double Wheeled Casters

USER RATINGS

- Weight Rating: 300 lbs.
- User Height: 5'6" - 6'3"
- Tested to **ANSI/BIFMA X5.1-2017** Office Chair Standards

WARRANTY

- 10-Year Warranty on Frame
- 5-Year Warranty on Structural Components
- 3-Year Warranty on Covers, Foam & Armrests

OPTIONAL FEATURES

- Black Cloth or Black Ultraleather
- Traditional Headrest
- 4D Armrests, Height/Width Adjustable
- **NEW!** Shock Cover
- Heavy Duty Polished Aluminum or Black Aluminum Base
- Custom Embroidery



ISO CERTIFIED



MANUFACTURER

UNITED GROUP
INCORPORATED

BBB ACCREDITED



IRONHORSESEATING.COM 800.223.7003

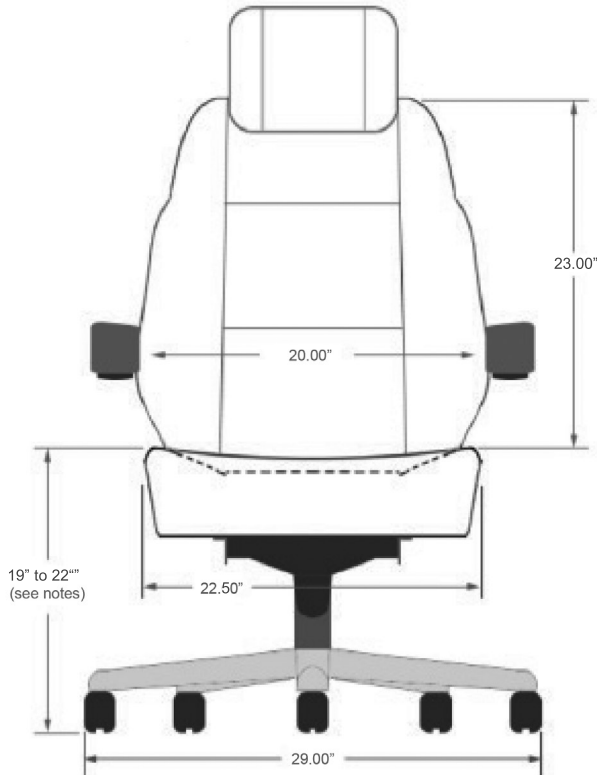
Rev. 01/16/2019

IRON HORSE SEATING



3000 Series

PRODUCT FEATURES



Notes:

- 4.0" headrest height adjustment range
- 19" seat cushion depth

Seat Cushion Height:

- Regular Shock Option - Seat Cushion Height 19" to 22"
- Short Shock Option - Seat Cushion Height 18.5" to 22"
- Tall Shock Option - Seat Cushion Height 20.5" to 22"



IRON HORSE SEATING - BUILT TO LAST

IRON HORSE Seating 24-Hour Chairs are engineered to withstand the demanding environments of control rooms, surveillance rooms, and dispatch centers. The IRON HORSE Seating 3000 Series features the latest ergonomic designs and commercial grade components.

Through extensive market knowledge and known customer requirements, these chairs are engineered to exceed your expectations. The ergonomic excellence of the IRON HORSE Seating intensive use products have been developed to meet the demands of 24-hour, multi-shift environments.

ISO CERTIFIED



MANUFACTURER

UNITED GROUP
INCORPORATED

BBB ACCREDITED



IRONHORSESEATING.COM 800.223.7003

Rev. 01/16/2019

IRON HORSE SEATING



3000

Seat Slider

PRODUCT FEATURES

The IRON HORSE Seating 3000 Series with Seat Slider features the latest ergonomic designs and commercial grade components.

FEATURES

- Black Standard Leather
- Deluxe Comfort Headrest
- 4D Armrests, Height/Width Adjustable
- Adjustable Seat Cushion Depth Range: 17" - 19.5"
- Knee Tilt Recliner with 7 Locking Positions & Adjustable Tension
- Independent Backrest Recline
- Adjustable Air Lumbar System
- Heavy Duty Gas Shock, Height Adjustable
- 5-Star Black Composite Base with Double Wheeled Casters

USER RATINGS

- Weight Rating: 300 lbs.
- User Height: 5'6" - 6'3"

WARRANTY

- 10-Year Warranty on Frame
- 5-Year Warranty on Structural Components
- 3-Year Warranty on Covers, Foam & Armrests

OPTIONAL FEATURES

- Black Cloth
- Traditional Headrest
- Heavy Duty Tilt-Up Armrests, Adjustable Angle
- **NEW!** Shock Cover
- Heavy Duty Polished Aluminum or Black Aluminum Base
- Custom Embroidery



ISO CERTIFIED



MANUFACTURER

UNITED GROUP
INCORPORATED

BBB ACCREDITED



IRONHORSESEATING.COM 800.223.7003

Rev. 01/16/2019

IRON HORSE SEATING



3000

Seat Slider

PRODUCT FEATURES



Notes:

- 4.0" headrest height adjustment range
- 17.5" to 19.5" seat cushion depth

Seat Cushion Height:

- Regular Shock Option - Seat Cushion Height 20" to 23"
- Short Shock Option - Seat Cushion Height 19.5" to 22.5"
- Tall Shock Option - Seat Cushion Height 20.5" to 25.5"



IRON HORSE SEATING - BUILT TO LAST

IRON HORSE Seating 24-Hour Chairs are engineered to withstand the demanding environments of control rooms, surveillance rooms, and dispatch centers. The IRON HORSE Seating 3000 Series with Seat Slider features the latest ergonomic designs and commercial grade components.

Through extensive market knowledge and known customer requirements, these chairs are engineered to exceed your expectations. The ergonomic excellence of the IRON HORSE Seating intensive use products have been developed to meet the demands of 24-hour, multi-shift environments.

ISO CERTIFIED



MANUFACTURER

UNITED GROUP
INCORPORATED

BBB ACCREDITED



IRONHORSESEATING.COM 800.223.7003

Rev. 01/16/2019

IRON HORSE SEATING



4000 *Series*

PRODUCT FEATURES

The IRON HORSE Seating 4000 Series features a new design, including the field replaceable seat cushion as a standard feature and 3D Armrests for 24/7 environments as an optional feature.

FEATURES

- Black Standard Leather
- Deluxe Comfort Headrest
- Heavy Duty Tilt-Up Armrests, Adjustable Angle
- **NEW!** Field Replaceable Seat Cushion
- Heavy Duty Tilt Mechanism (See Back of Page for More Details)
- Independent Backrest Recline
- Adjustable Air Lumbar System
- Heavy Duty Gas Shock, Height Adjustable
- 5-Star Black Composite Base with Double Wheeled Casters

USER RATINGS

- Weight Rating: 400 lbs.
- User Height: 5'9" - 6'5"
- Tested to **ANSI/BIFMA X5.1-2017** Office Chair Standards
- **FNEW 83-269** Certified (Ask for Model Components)

WARRANTY

- 10-Year Warranty on Frame
- 5-Year Warranty on Structural Components
- 3-Year Warranty on Covers, Foam & Armrests

OPTIONAL FEATURES

- Black Cloth & Black Ultraleather
- Traditional Headrest
- **NEW!** 3D Armrests, Height/Width/Length Adjustable
- **NEW!** Extended Seat Cushion: 21" Depth (1" Longer)
- Heavy Duty Polished Aluminum (Pictured) or Black Aluminum Base
- **NEW!** Tall Configuration
- **NEW!** 75mm Hard Casters
- **NEW!** Shock Cover
- Custom Embroidery



ISO CERTIFIED



MANUFACTURER

UNITED GROUP
INCORPORATED

BBB ACCREDITED



IRONHORSESEATING.COM 800.223.7003

Rev. 01/16/2019

IRON HORSE SEATING



4000 Series

PRODUCT FEATURES



Notes:

- Seat Cushion Depth 20"
- 4" Headrest Height Adjustment Range
- Seat Cushion Height:
 - Regular Shock Option - Seat Cushion Height 19" to 22"
 - Short Shock Option - Seat Cushion Height 18.5" to 21.5"
 - Tall Shock Option - Seat Cushion Height 19.5" to 24.5"

IRON HORSE SEATING - BUILT TO LAST

IRON HORSE Seating 24-Hour Chairs are engineered to withstand the demanding environments of control rooms, surveillance rooms, and dispatch centers. The IRON HORSE Seating 4000 Series features the latest ergonomic designs and commercial grade components.

Through extensive market knowledge and known customer requirements, these chairs are engineered to exceed your expectations. The ergonomic excellence of the IRON HORSE Seating intensive use products have been developed to meet the demands of 24-hour, multi-shift environments.

HD TILT MECHANISM



The HD Tilt Mech is standard on the IRON HORSE Seating 4000 Series. Its responsive and versatile tilt is designed for use on large size chairs. The mechanism is equipped with Infinite Tilt Lock for independent back adjustment and a top activation lever for pneumatic height adjustment. Its robust design and ergonomic adjustments are ideal for heavy use applications.



ISO CERTIFIED



MANUFACTURER

UNITED GROUP
INCORPORATED

BBB ACCREDITED



IRONHORSESEATING.COM 800.223.7003

Rev. 01/16/2019

IRON HORSE SEATING



4000

Seat Slider

PRODUCT FEATURES

The IRON HORSE Seating 4000 Series Seat Slider features a new design, including the HD Tilt Mech and field replaceable seat cushion as standard features and 3D Armrests for 24/7 environments as an optional feature.

FEATURES

- Black Standard Leather
- Deluxe Comfort Headrest
- Heavy Duty Tilt-Up Armrests, Adjustable Angle
- Adjustable Seat Cushion Depth Range: 19.5" - 22"
- **NEW!** Field Replaceable Cushion
- Heavy Duty Tilt Mechanism (See Back of Page for More Details)
- Independent Backrest Recline, Angle Adjustable
- Heavy Duty Gas Shock, Height Adjustable
- Adjustable Air Lumbar System
- 5-Star Black Composite Base with Double Wheeled Casters

USER RATINGS

- Weight Rating: 400 lbs.
- User Height: 5'9" - 6'5"
- Tested to **ANSI/BIFMA X5.1-2017** Office Chair Standards

WARRANTY

- 10-Year Warranty on Frame
- 5-Year Warranty on Structural Components
- 3-Year Warranty on Covers, Foam & Armrests

OPTIONAL FEATURES

- Black Cloth or Black Ultraleather
- Traditional Headrest
- **NEW!** 3D Armrests, Height/Width/Length Adjustable (Pictured)
- **NEW!** Extended Seat Cushion Depth Range: 20.5" - 23"
- Heavy Duty Polished Aluminum or Black Aluminum Base
- **NEW!** Tall Configuration
- **NEW!** Shock Cover
- Custom Embroidery
- **NEW!** 75mm Hard Casters



ISO CERTIFIED



MANUFACTURER

UNITED GROUP
INCORPORATED

BBB ACCREDITED



IRONHORSESEATING.COM 800.223.7003

Rev. 01/16/2019

IRON HORSE SEATING



4000

Seat Slider

PRODUCT FEATURES



Notes:
Seat Cushion Depth 19.5" to 22"
4" Headrest Height Adjustment Range
Seat Cushion Height:
Regular Shock Option - Seat Cushion Height 19" to 22"
Short Shock Option - Seat Cushion Height 18.5" to 21.5"
Tall Shock Option - Seat Cushion Height 19.5" to 24.5"



HD TILT MECHANISM



The HD Tilt Mech is now standard on the IRON HORSE Seating 4000 Series Seat Slider. Its responsive and versatile tilt is designed for use on large size chairs. The mechanism is equipped with Infinite Tilt Lock for independent back adjustment and a top activation lever for pneumatic height adjustment. Its robust design and ergonomic adjustments are ideal for heavy use applications.

ISO CERTIFIED



MANUFACTURER

UNITED GROUP
INCORPORATED

BBB ACCREDITED



IRONHORSESEATING.COM 800.223.7003

Rev. 01/16/2019

IRON HORSE SEATING



5000 *Series*

PRODUCT FEATURES

The IRON HORSE Seating 5000 Series features a new design, including 3D Armrests and Seat Slider adjustment as standard features.



FEATURES

- Black Standard Leather
- Deluxe Comfort Headrest
- **NEW!** 3D Armrests, Height/Width/Length Adjustable
- **NEW!** Seat Cushion Depth Range: 22" - 24.5"
- Backrest Recline, Angle Adjustable
- Heavy Duty Gas Shock, Height Adjustable
- 5-Star Black Composite Base with Double Wheeled Casters
- **NEW!** 75mm Hard Casters

USER RATINGS

- Weight Rating: 500 lbs.
- User Height: 5'7" - 6'5"
- Tested to **ANSI/BIFMA X5.11-2015** Large Occupant Office Chair Standards

WARRANTY

- 5-Year Warranty on Frame
- 5-Year Warranty on Structural Components
- 3-Year Warranty on Covers, Foam & Armrests

OPTIONAL FEATURES

- Black Cloth or Black Ultraleather
- Traditional Headrest
- **NEW!** Shock Cover
- Heavy Duty Polished Aluminum or Black Aluminum Base
- Custom Embroidery

ISO CERTIFIED



MANUFACTURER

UNITED GROUP
INCORPORATED

BBB ACCREDITED



IRONHORSESEATING.COM 800.223.7003

Rev. 01/16/2019

IRON HORSE SEATING



5000 Series

PRODUCT FEATURES



Notes:

- 4.0" headrest height adjustment range
- 22" to 24.5" seat cushion depth
- Seat Cushion Height:
 - Regular Shock Option - 19.5" to 22.5"
 - Short Shock Option - 18" to 20.5"
 - Tall Shock Option - 20" to 25"



IRON HORSE SEATING - BUILT TO LAST

IRON HORSE Seating 24-Hour Chairs are engineered to withstand the demanding environments of control rooms, surveillance rooms, and dispatch centers. The IRON HORSE Seating 5000 Series features the latest ergonomic designs and commercial grade components.

Through extensive market knowledge and known customer requirements, these chairs are engineered to exceed your expectations. The ergonomic excellence of the IRON HORSE Seating intensive use products have been developed to meet the demands of 24-hour, multi-shift environments.

ISO CERTIFIED



MANUFACTURER

UNITED GROUP
INCORPORATED

BBB ACCREDITED



IRONHORSESEATING.COM 800.223.7003

Rev. 01/16/2019



IRON HORSE SEATING



BIG & TALL

PRODUCT FEATURES

The IRON HORSE Seating Big & Tall features the latest ergonomic designs and commercial grade components.

FEATURES

- Black Standard Leather
- Adjustable Comfort Neckroll
- Heavy Duty Tilt-Up Armrests, Adjustable Angle
- **NEW!** Seat Cushion Depth Range: 19.5" - 22"
- Independent Backrest Recline
- Heavy Duty Tilt Mechanism (See Back of Page for More Details)
- Adjustable Air Lumbar System
- Heavy Duty Gas Shock, Height Adjustable
- 5-Star Black Composite Base with Double Wheeled Casters

USER RATINGS

- Weight Rating: 400 lbs.
- User Height: 5'9" - 6'8"
- Tested to **ANSI/BIFMA X5.1-2017** Office Chair Standards

WARRANTY

- 10-Year Warranty on Frame
- 5-Year Warranty on Structural Components
- 3-Year Warranty on Covers, Foam & Armrests

OPTIONAL FEATURES

- **NEW!** 3D Armrests, Height/Width/Length Adjustable
- **NEW!** Extended Seat Cushion Depth Range: 22" - 24.5"
- **NEW!** Tall Configuration
- **NEW!** Shock Cover
- Heavy Duty Polished Aluminum or Black Aluminum Base
- **NEW!** 75mm Hard Casters
- Custom Embroidery

ISO CERTIFIED



MANUFACTURER

UNITED GROUP
INCORPORATED

BBB ACCREDITED



IRONHORSESEATING.COM 800.223.7003

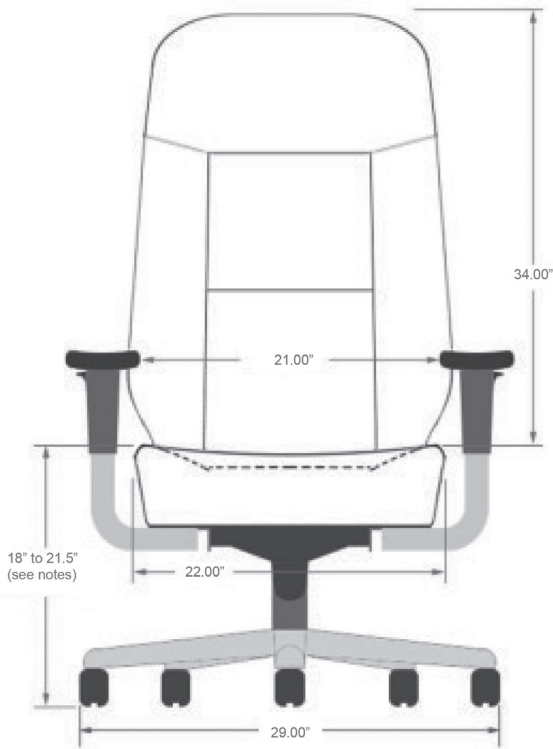
Rev. 01/16/2019

IRON HORSE SEATING



BIG & TALL

PRODUCT FEATURES



Notes:
Seat Cushion Depth:
Standard - 19.5" to 22"
Extended - 22" to 24.5"
Seat Cushion Height:
Regular Shock Option - Seat Cushion Height 18" to 21"
Short Shock Option - Seat Cushion Height 17" to 20"
Tall Shock Option - Seat Cushion Height 19" to 23"



IRON HORSE SEATING - BUILT TO LAST

IRON HORSE Seating 24-Hour Chairs are engineered to withstand the demanding environments of control rooms, surveillance rooms, and dispatch centers. The IRON HORSE Big & Tall features the latest ergonomic designs and commercial grade components.

Through extensive market knowledge and known customer requirements, these chairs are engineered to exceed your expectations. The ergonomic excellence of the IRON HORSE Seating intensive use products have been developed to meet the demands of 24-hour, multi-shift environments.

ISO CERTIFIED



MANUFACTURER

UNITED GROUP
INCORPORATED

BBB ACCREDITED



IRONHORSESEATING.COM 800.223.7003

Rev. 01/16/2019



IRON HORSE SEATING

ARMREST OPTIONS

IRON HORSE Seating offers different headrest options to fit customer needs and requirements.

24/7 RATED ARMRESTS

HD TILT-UP ARMRESTS >>>

- * 24/7 rated
- * Tilt adjustable
- * Flip up completely out of the way
- * Supports users up to 400 lbs.



NEW! 3D ARMRESTS >>>

- * 24/7 rated
- * Height/Width/Length adjustable
- * Supports users up to 500 lbs.
- * Available in Black, Aluminum (Pictured), and Black with Aluminum.



ISO CERTIFIED



MANUFACTURER

UNITED GROUP
INCORPORATED

BBB ACCREDITED



IRONHORSESEATING.COM 800.223.7003

Rev. 01/16/2019



IRON HORSE SEATING

ARMREST OPTIONS

IRON HORSE Seating offers different armrest options to fit customer needs and requirements.

SINGLE SHIFT ARMRESTS

4D ARMRESTS >>>

- * Height/Width/Length/Angle adjustable
- * Not intended for 24/7 use
- * Not covered under Warranty if used in 24/7 environments.



ISO CERTIFIED



MANUFACTURER

UNITED GROUP
INCORPORATED

BBB ACCREDITED



IRONHORSESEATING.COM 800.223.7003

Rev. 01/16/2019



IRON HORSE SEATING

HEADREST OPTIONS

IRON HORSE Seating offers different headrest options to fit customer needs and requirements.

TRADITIONAL HEADREST >>>

* Height and tilt adjustable



DELUXE COMFORT HEADREST >>>

* Height adjustable
* Articulating flange cradles head and neck for additional support and comfort



ISO CERTIFIED



MANUFACTURER

UNITED GROUP
INCORPORATED

BBB ACCREDITED



IRONHORSESEATING.COM 800.223.7003

Rev. 01/16/2019



IRON HORSE SEATING

BASE OPTIONS

IRON HORSE Seating offers different base options to fit customer needs and requirements.

REINFORCED COMPOSITE >>>

- * 5 Star composite base
- * Base diameter: 29"
- * Optional: shock cover



POLISHED ALUMINUM >>>

- * 5 Star polished cast aluminum base
- * Base diameter: 29"
- * Optional: shock cover



BLACK ALUMINUM >>>

- * 5 Star black aluminum base
- * Base diameter: 29"
- * Optional: shock cover



ISO CERTIFIED



MANUFACTURER

UNITED GROUP
INCORPORATED

BBB ACCREDITED



IRONHORSESEATING.COM 800.223.7003

Rev. 01/16/2019



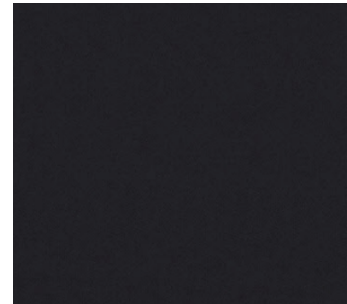
IRON HORSE SEATING

TRIM OPTIONS

IRON HORSE Seating offers different trim options to fit customer needs and requirements.

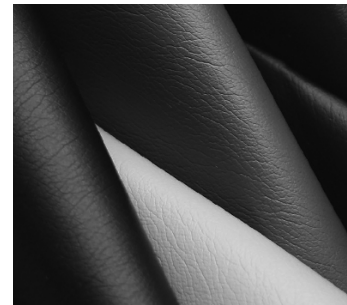
CLOTH >>>

- * 100% Polyester
- * Tested to ASTM D4157 (1,700,000 Double Rubs)
- * BLOCKaide™ Stain Repellent



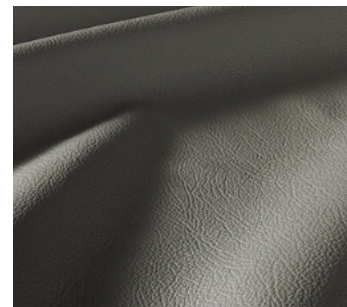
ULTRALEATHER >>>

- * Synthetic Leather
- * 100% Polyurethane, 100% Rayon Backing
- * Tested to ASTM D4157 (400,000 Double Rubs)
- * GreenGuard Certified



STANDARD LEATHER >>>

- * Automotive-Grade Leather
- * Easy to Clean
- * Premium Comfort and Durability



**Custom colors and upgraded trim options are available upon request. Call for pricing details.*

ISO CERTIFIED



MANUFACTURER

UNITED GROUP
INCORPORATED

BBB ACCREDITED



IRONHORSESEATING.COM 800.223.7003

Rev. 01/16/2019

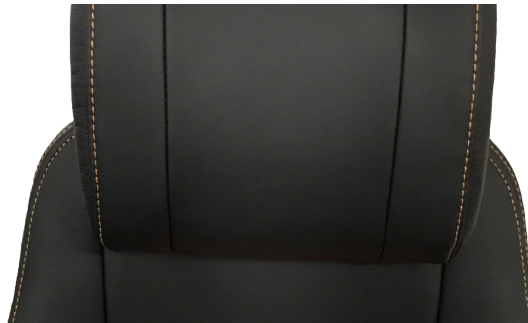


IRON HORSE SEATING CUSTOM TRIM

Personalize your new IRON HORSE Seating office chair with our custom trim program.

PROGRAM DETAILS >>>

- * Customize your IRON HORSE Seating office chair with leather colors, insert styles, insert colors, and top-stitch colors.
- * Pricing for customization **starts** at \$640 List Price.
- * Call your Account Manager for full program details, available options, and pricing information.



ISO CERTIFIED



MANUFACTURER

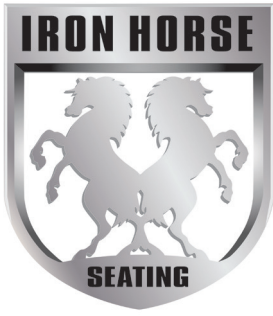
UNITED GROUP
INCORPORATED

BBB ACCREDITED



IRONHORSESEATING.COM 800.223.7003

Rev. 01/16/2019

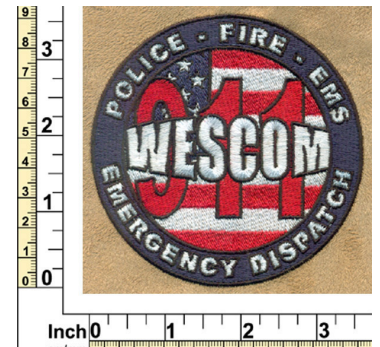
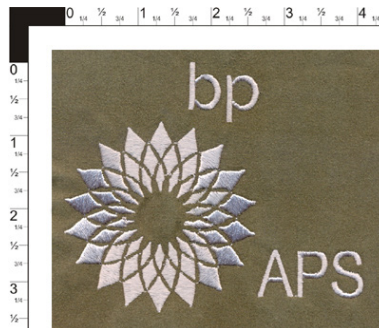


IRON HORSE SEATING CUSTOM EMBROIDERY

Personalize your new IRON HORSE Seating office chair with our custom embroidery program.

PROGRAM DETAILS >>>

- * \$100 One-Time Digitization Fee
- * **Starting** at \$50 Per Location Charge, Per Chair
- * Front-of-Headrest and Front-of-Backrest locations standard. Call with additional location requests.



ISO CERTIFIED



MANUFACTURER

UNITED GROUP
INCORPORATED

BBB ACCREDITED



IRONHORSESEATING.COM 800.223.7003

Rev. 01/16/2019